

Filter Cartridge Housing
BECO INTEGRA® CART KB Range



Low Flow Rates

BECO INTEGRA CART filter cartridge housings from Eaton's Begerow Product Line are manufactured of stainless steel 1.4404 and can be applied within the filtration of liquids in the beverages industry. This range is available in 1, 3, 5, 8, 12, 18, 24, and 30 fold design (1 – 30 filter cartridges) for pre-filtration or sterile filtration purposes.

Special Features

- Corrosion resistant, stainless steel 1.4404 material
- Increased safety through the use of code 7 adapters (double-leaf bayonet locking)
- Optimized design allows thorough and quick cleaning.
- Low product loss thanks to compact design
- Resistant to hot water or steam sterilization

Application

All BECO INTEGRA CART filter cartridge housings of this range (1 – 30 fold) are designed for the filtration of media of fluid group 2 according to Pressure Equipment Directive DGRL 97/23/EG. A variety of different housing heights between 10" and 20" or 30" and 40" allows a perfect adaptation of the housing size to filtered product volume. This reduces product loss and blends to a minimum. An optimized filtrate chamber design and special filter surface finish provide very easy cleaning and sterilization.

BECO INTEGRA CART filter cartridge housings are suitable for applications with BECO® pre-filter cartridges and BECO membrane filter cartridges.

Customized housings or additional components allow for system expansion or complete systems according to customer specifications.

Technical Data

Max. permissible operating pressure:	Depending on housing size, see table
Max. permissible operating temperature:	Depending on housing size, see table



B housing:
1 to 8 filter cartridges
(quick closure)

KB housing:
12 to 30 filter cartridges
(clamp screws)

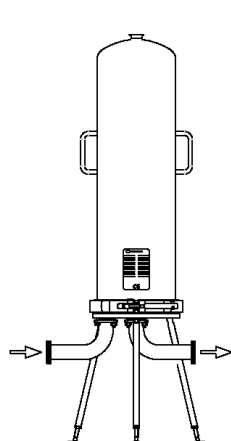
Housing Material

Product contacting parts:	Stainless steel AISI 316L
Gaskets:	Silicone (or EPDM, Viton)
Housing suitable for:	Media of fluid group 2 according to DGRL (PED) 97/23/EG
Housing connection:	Threaded nozzle acc. to DIN 11851
Housing closure:	1 – 8 fold: quick closure 12 – 30 fold: clamp screws
Vent connection:	TC connection 1,5"
Drain:	None (should be included within the valves of in- and outlet piping)
Fittings:	Vent and drain units are available at special request.
HS Customs Tariff:	8421 29 90

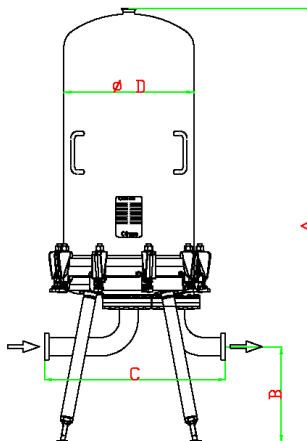


Article No.	Qty	Cartr. length in	Dimensions in (mm)				Connections DIN11851 In-/Outlet	Volume gal (l)	Weight lb (kg)	Perm. pressure psi (bar) at 302 °F (150 °C)		Perm. pressure psi (bar) at 104 °F (40 °C)	
			A	B	C	D				Liquid	Gas, steam	Liquid	Gas, steam
KB117X25	1	10"	31.50 800	15 (381)	8.7 (221)	4.0 (102)	DN 25	0.79 (3.0)	15.4 (7.0)	108.8 (7.5)	108.8 (7.5)	145 (10)	145 (10)
KB127X25	1	20"	41.34 1,050	15 (381)	8.7 (221)	4.0 (102)	DN 25	1.27 (4.8)	18.1 (8.2)	108.8 (7.5)	108.8 (7.5)	145 (10)	145 (10)
KB137X25	1	30"	51.18 1,300	15 (381)	8.7 (221)	4.0 (102)	DN 25	1.77 (6.7)	20.7 (9.4)	108.8 (7.5)	108.8 (7.5)	145 (10)	145 (10)
KB147X25	1	40"	61.02 1,550	15 (381)	8.7 (221)	4.0 (102)	DN 25	2.27 (8.6)	23.4 (10.6)	108.8 (7.5)	108.8 (7.5)	145 (10)	145 (10)
KB337X40	3	30"	51.58 1,310	13.4 (340)	13.8 (351)	6.6 (168)	DN 40	4.70 (17.8)	47.2 (21.4)	108.8 (7.5)	108.8 (7.5)	145 (10)	145 (10)
KB347X40	3	40"	61.42 1,560	13.4 (340)	13.8 (351)	6.6 (168)	DN 40	6.10 (23.1)	51.6 (23.4)	108.8 (7.5)	108.8 (7.5)	145 (10)	124.7 (8.6)
KB537X50	5	30"	52.17 1,325	12.2 (310)	16.7 (423)	8.6 (219)	DN 50	7.69 (29.1)	48.5 (22.0)	108.8 (7.5)	98.6 (6.8)	145 (10)	98.6 (6.8)
KB547X50	5	40"	62.01 1,575	12.2 (310)	16.7 (423)	8.6 (219)	DN 50	10.09 (38.2)	52.9 (24.0)	108.8 (7.5)	75.4 (5.2)	145 (10)	75.4 (5.2)
KB837X50	8	30"	51.58 1,310	12.2 (310)	17.7 (449)	10.8 (273)	DN 50	13.13 (49.7)	72.8 (33)	108.8 (7.5)	58 (4.0)	145 (10)	58 (4.0)
KB847X50	8	40"	61.42 1,560	12.2 (310)	17.7 (449)	10.8 (273)	DN 50	16.88 (63.9)	79.4 (36)	108.8 (7.5)	45 (3.1)	145 (10)	45 (3.1)
KB123765	12	30"	56.30 1,430	12.8 (326)	21.5 (547)	13.8 (350)	DN 65	23.51 (89)	145.5 (66)	101.5 (7.0)	31.9 (2.2)	130.5 (9)	31.9 (2.2)
KB124765	12	40"	66.14 1,680	12.8 (326)	21.5 (547)	13.8 (350)	DN 65	29.85 (113)	154.3 (70)	101.5 (7.0)	24.7 (1.7)	130.5 (9)	24.7 (1.7)
KB183765	18	30"	57.09 1,450	12.8 (325)	23.8 (604)	15.8 (400)	DN 65	30.38 (115)	149.9 (68)	89.9 (6.2)	24.7 (1.7)	116 (8)	24.7 (1.7)
KB184765	18	40"	66.93 1,700	12.8 (325)	23.8 (604)	15.8 (400)	DN 65	38.57 (146)	163.1 (74)	89.9 (6.2)	18.9 (1.3)	116 (8)	18.9 (1.3)
KB243780	24	30"	58.07 1,475	12.2 (310)	24.3 (616)	17.7 (450)	DN 80	39.89 (151)	209.4 (95)	89.9 (6.2)	89.9 (6.2)	116 (8)	94.3 (6.5)
KB244780	24	40"	67.91 1,725	12.2 (310)	24.3 (616)	17.7 (450)	DN 80	50.19 (190)	220.5 (100)	89.9 (6.2)	75.4 (5.2)	116 (8)	75.4 (5.2)
KB303780	30	30"	59.06 1,500	12.2 (310)	28.0 (712)	21.7 (550)	DN 80	62.08 (235)	240.3 (109)	89.9 (6.2)	60.9 (4.2)	116 (8)	49.3 (3.4)
KB304780	30	40"	68.90 1,750	12.2 (310)	28.0 (712)	21.7 (550)	DN 80	77.40 (293)	257.9 (117)	89.9 (6.2)	49.3 (3.4)	116 (8)	49.3 (3.4)

1 to 8 fold cartridge housing
(design with quick closure)



12 to 30 fold cartridge housing
(design with clamp screws)



North America
44 Apple Street
Tinton Falls, NJ 07724
Toll Free: 800 656-3344
(North America only)
Tel: +1 732 212-4700

Europe/Africa/Middle East
Auf der Heide 2
53947 Nettersheim, Germany
Tel: +49 2486 809-0

Internormen Product Line
Friedensstraße 41
68804 Altlußheim, Germany
Tel: +49 6205 2094-0

Begerow Product Line
An den Nahewiesen 24
55450 Langenlonsheim, Germany
Tel: +49 6704 204-0

China
No. 3, Lane 280,
Linhong Road
Changning District, 200335
Shanghai, P.R. China
Tel: +86 21 5200-0099

Singapore
4 Loyang Lane #04-01/02
Singapore 508914
Tel: +65 6825-1668

Brazil
Av. Julia Gaioli, 474 – Bonsucesso
07251-500 – Guarulhos, Brazil
Tel: +55 11 2465-8822

**For more information, please
email us at**
filtration@eaton.com
or visit
www.eaton.com/filtration

EN
1 A 7.2.5
03-2015

© 2014 Eaton. All rights reserved. All trademarks and registered trademarks are the property of their respective owners. All information and recommendations appearing in this brochure concerning the use of products described herein are based on tests believed to be reliable. However, it is the user's responsibility to determine the suitability for his own use of such products. Since the actual use by others is beyond our control, no guarantee, expressed or implied, is made by Eaton as to the effects of such use or the results to be obtained. Eaton assumes no liability arising out of the use by others of such products. Nor is the information herein to be construed as absolutely complete, since additional information may be necessary or desirable when particular or exceptional conditions or circumstances exist or because of applicable laws or government regulations.